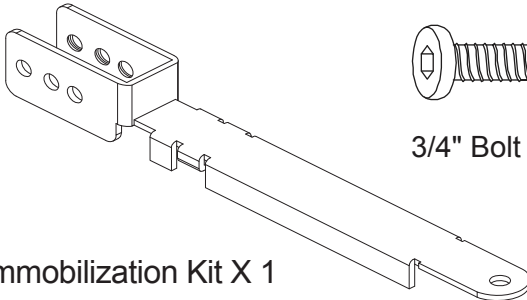


# Crib Drop Side Immobilization Kit - Assembly Instructions

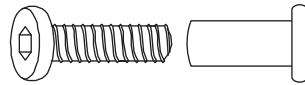
Please follow the simple steps below and install the immobilization kit to your drop-side crib to make it a stationary side crib. It is recommended to install this kit with two people.

DO NOT SUBSTITUTE PARTS. YOUR CRIB MODEL MAY LOOK DIFFERENT FROM THE ONE ILLUSTRATED BUT INSTALLATION METHOD IS THE SAME.

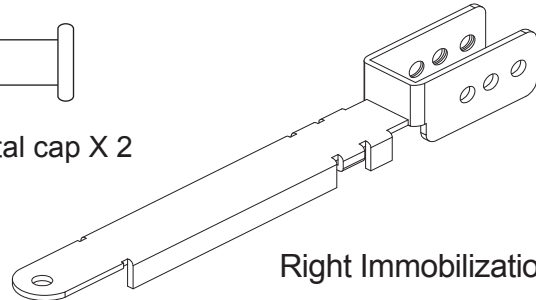
## HARDWARE



Left Immobilization Kit X 1



3/4" Bolt with metal cap X 2

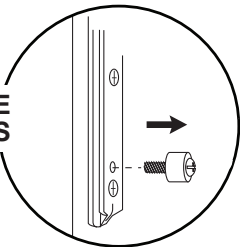


Right Immobilization Kit X 1

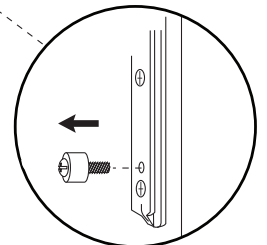
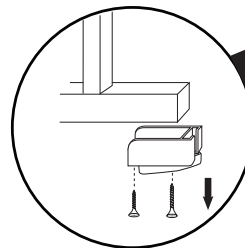
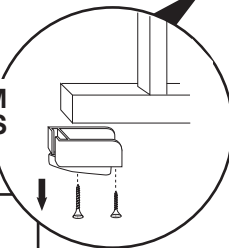
**Note:** The crib should be assembled already. All screws must be tightened. The drop side must be in the top position.

### STEP 1

REMOVE STOPPERS

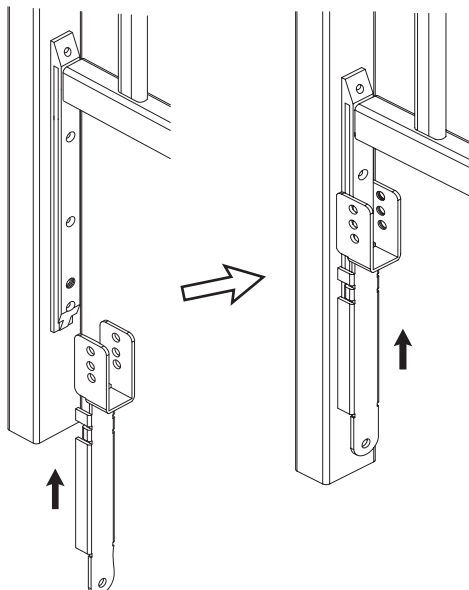


REMOVE BOTTOM RAIL SHOES



### STEP 2

While keeping drop side in the up position, slide kit up nylon rail and be sure kit slides into grooves of rail.



### STEP 3

**3A.** Place stopper back into the bottom of the kit and rail.

**3B**

**3B.** Choose the hole that is the closest to the thickness of your drop side and tighten it using the bolt and metal cap provided.

Do this for the other side.

Make sure all bolts and screws are fastened securely before using.

